



Spare Tire Mount Installation Instructions

Covers Part #8118

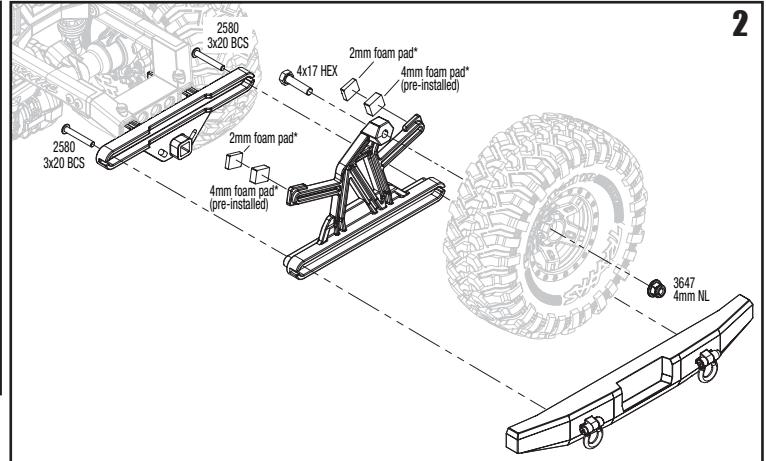
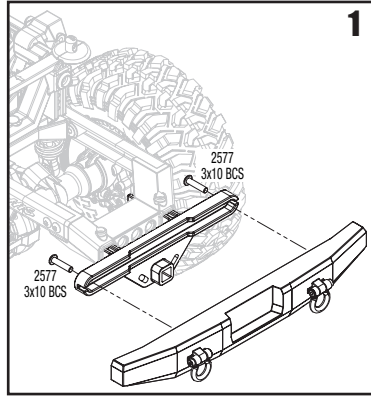
Kit contents:

- Spare tire mounting bracket
- 2mm foam pads (2)
- 4x17mm hex bolt
- M4x0.7mm nut
- 3x20mm BCS (2)

Tools required:

- 2.5mm hex wrench

1. Remove the 3x10mm BCS (2) from the rear bumper/bumper mount. Remove the rear bumper.
2. Attach the mounting bracket and rear bumper to the bumper mount using the supplied 3x20mm BCS. Attach the spare tire (not included) to the bracket using the supplied 4x17mm hex bolt and M4x0.7mm nut.



*For the TRX-4 Sport, if you do not have the LED tail light accessory (part #8084 or #8085, sold separately) installed on your truck body, install the included 2mm foam pads (2) on top of the existing 4mm pads on the mounting bracket to reduce body movement while driving.

Note: When equipping your vehicle with the spare tire mount and spare tire, consider installing stiffer springs on the rear shocks to help improve handling and stability. If the rear of the vehicle squats excessively under hard accelerations, select a higher spring rate. When maneuvering in extreme terrain, too soft of a spring rate will cause excessive suspension articulation and vehicle instability. You should choose a spring rate that supports the weight of the combined body and accessories, but doesn't require adding excessive pre-load to the shocks to level the ride height (*available optional springs listed in the table to the right*).

Part #	Description
8042	Springs, shock (natural finish) (GTS) (0.22 rate, yellow stripe) (2)
8043	Springs, shock (natural finish) (GTS) (0.30 rate, white stripe) (2)
8044	Springs, shock (natural finish) (GTS) (0.39 rate, orange stripe) (2)
8041	Springs, shock (natural finish) (GTS) (0.45 rate) (2)
8040	Springs, shock (natural finish) (GTS) (0.54 rate, green stripe) (2)
8045	Springs, shock (natural finish) (GTS) (0.61 rate, blue stripe) (2)

TRAXXAS.COM

Traxxas, 6250 Traxxas Way, McKinney, TX 75070, Phone: 972-549-3000, Fax: 972-549-3011, e-mail: support@Traxxas.com

KC2698-R02 Rev 181102